

4

3

2

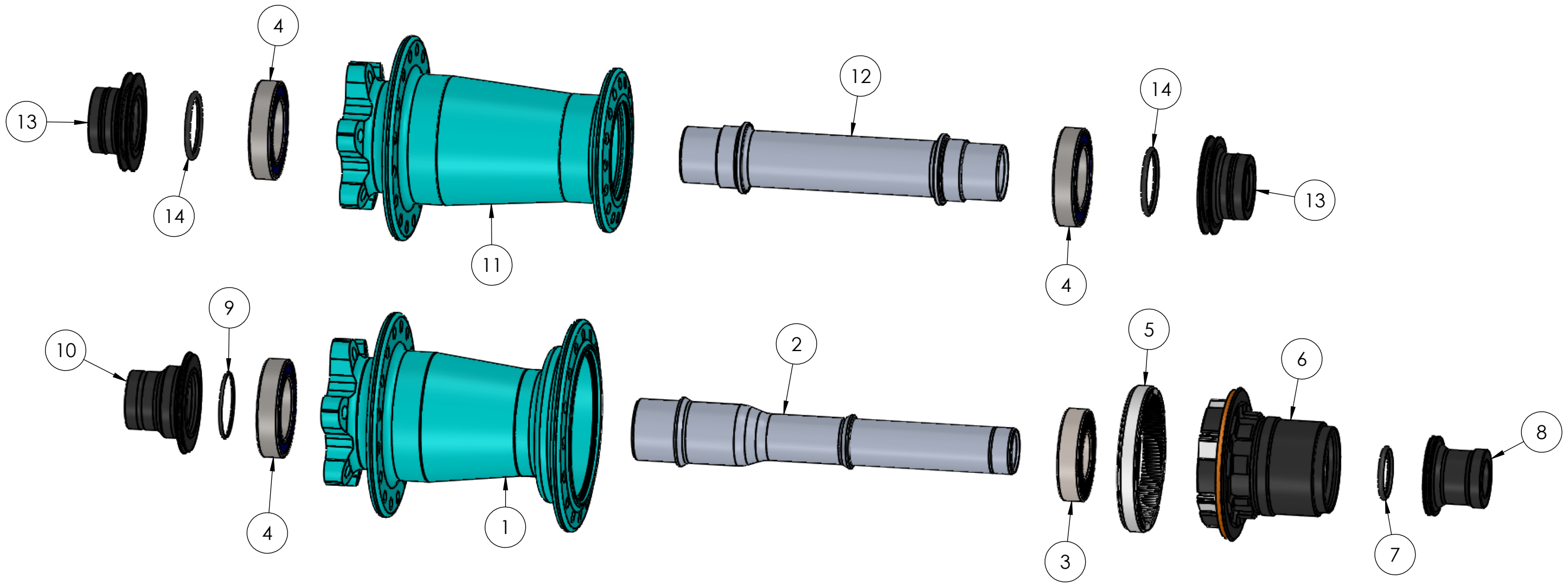
1

B

B

A

A



ITEM NO.	PART NUMBER	DESCRIPTION	QTY.
1	THU213	Torch Hubsell Rear Classic Boost 32H	1
2	HAX2605	Hydra Axle MTN RR Boost 148	1
3	BB15307A5	Ball Bearing 15 x 30 x 7	1
4	BB61804	Ball Bearing 20 x 32 x 7	3
5	HFH2531	Hydra 115t Drive Ring	1
6	HFH25XX	Hydra MTN Freehub - See Freehub Spec Table	1
7	HAXOR916	O-Ring 1/16 x 9/16	1
8	HAX2637	Hydra/101 12x142_148_157 End Cap Rear DS	1
9	TAXOR20	O-Ring 20 X 1	1
10	TAX646	Torch MNT RR End cap NDS 12x148 v2	1
11	THU214 215	Torch Classic FR Hub Boost 110 ISO	1
12	HAX2600	Hydra MTN Axle Front 110 Boost	1
13	HAX2622	Hydra End Cap FR 15mm ISO	2
14	HAXOR34	1/16 x 3/4 O-Ring	2

Hydra Mountain Hubset 6 Bolt

PROPRIETARY AND CONFIDENTIAL
 THE INFORMATION CONTAINED IN THIS DRAWING IS THE SOLE PROPERTY OF INDUSTRYNINE COMPONENTRY. ANY REPRODUCTION IN PART OR AS A WHOLE WITHOUT THE WRITTEN PERMISSION OF INDUSTRYNINE COMPONENTRY IS PROHIBITED.

		UNLESS OTHERWISE SPECIFIED:		NAME	DATE	INDUSTRY NINE
		DIMENSIONS ARE IN INCHES TOLERANCES: FRACTIONAL ± 1/32 ANGULAR: ± 0.5 deg TWO PLACE DECIMAL ±0.01 THREE PLACE DECIMAL ±0.005		DRAWN		
		INTERPRET GEOMETRIC TOLERANCING PER:		CHECKED		SIZE DWG. NO. REV
		MATERIAL		ENG APPR.		
NEXT ASSY	USED ON	FINISH		MFG APPR.		SCALE: 1:4 WEIGHT: SHEET 1 OF 1
APPLICATION		DO NOT SCALE DRAWING		Q.A.		
				COMMENTS:		

4

3

2

1